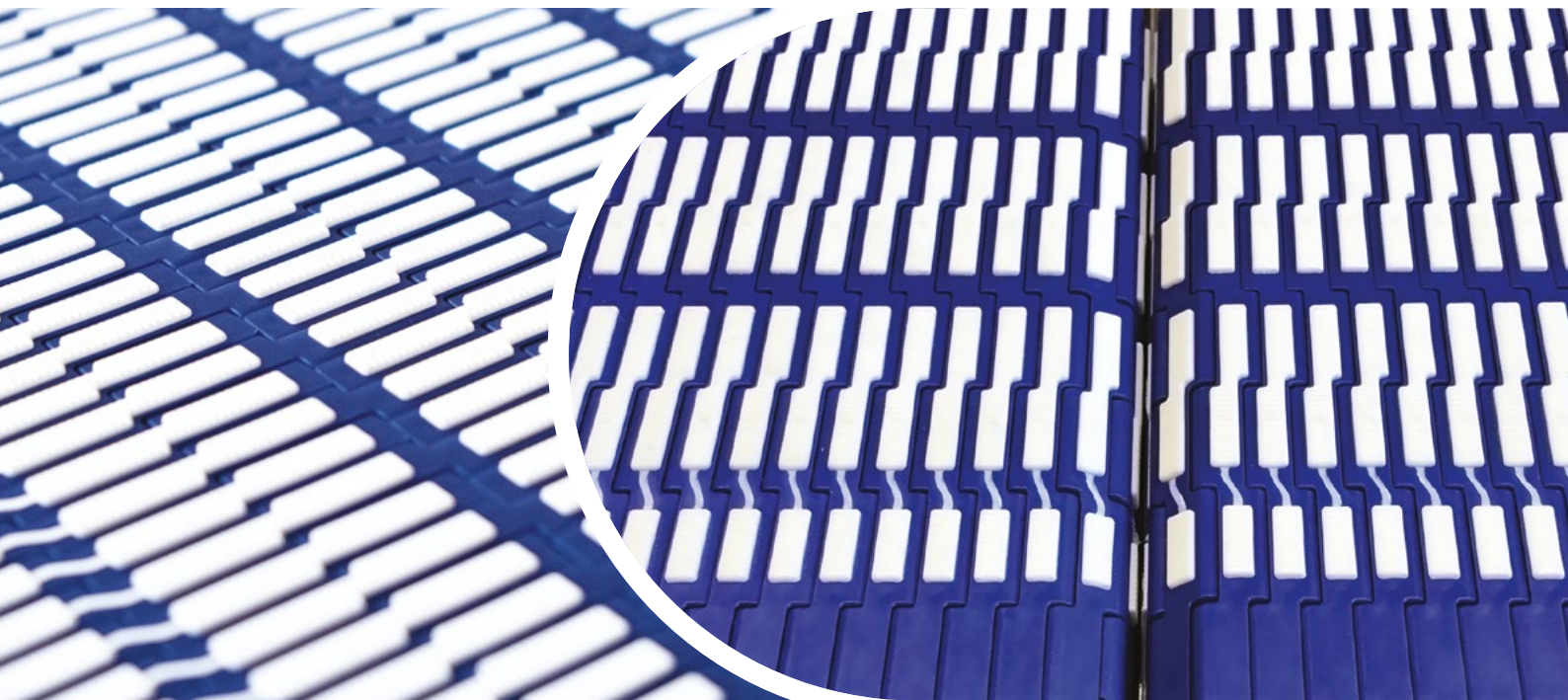


# Reliable positioning and high grip for tight transfer applications

HabasitLINK® M0870 HighGrip 0.3"

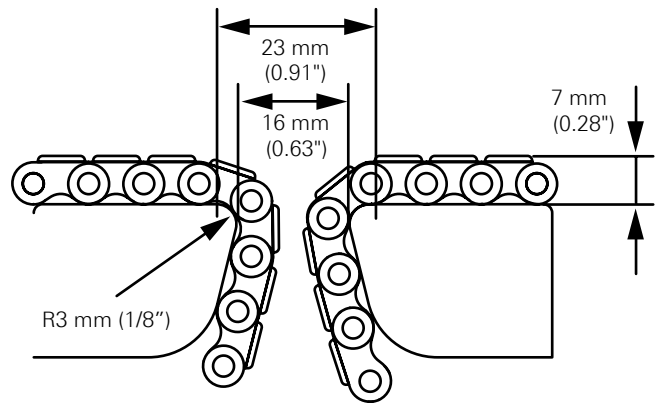


## Conquering the challenge of tight transfers with a new plastic modular belt

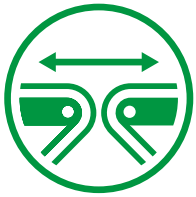
Applications requiring tight conveyor transfers have always been a challenge. If you also need reliable belt movement, no tracking issues, and high grip, e.g. for packaging and hard products, the list of potential solutions has been close to zero. Such demanding requirements arise for phasing, acceleration, and retractile conveyors, and also for the precise handling or positioning of very small products. Now a plastic modular belt does the job perfectly: the HabasitLINK M0870 HighGrip 0.3".

## Solution for knife edges and excellent grip

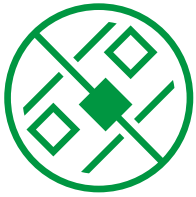
To ensure reliable product positioning and limit slippage on the belt surface, the HabasitLINK Micropitch M0870 for tight transfers has a high grip surface on the conveying side. The belt accommodates small knife edges with diameters 6 mm, and delivers the additional benefits offered by plastic modular belts of excellent belt tracking, less maintenance, and easier cleanability.



Habasit M0870 HighGrip 0,3''  
Transfer 23 mm/ 0,91''



**50%** lower minimum transfer distance than conventional plastic modular belts



**Reliable product positioning** – Thanks to the high grip surface that keeps the product in place even on incline applications, the M0870 belt provides accurate positioning in combination with tight transfers, and avoids tracking issues.

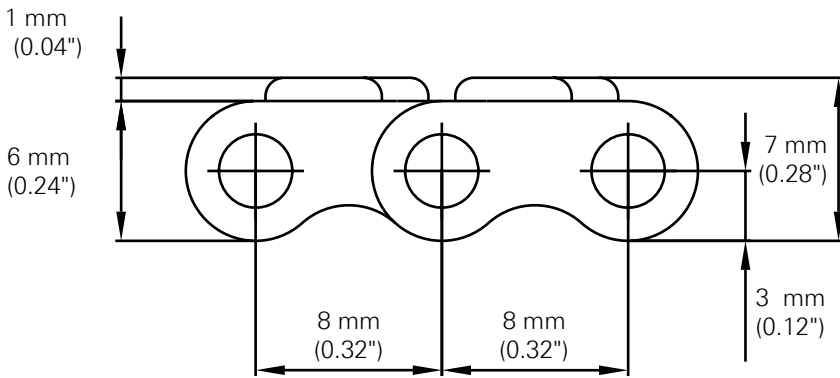


**Improved productivity** – The high lateral stiffness of the belt prevents time-loss due to belt mistracking, and results in less maintenance and reduced downtime, while higher acceleration and operating speeds compared to similar micropitch belts on the market support increased productivity.



**Improved hygiene and food safety** – The M0870 HighGrip's hygienic design and high-quality plastic material prevent parts being released into the food being processed, improving the hygiene and food safety of your processing operations.

**Belt dimensions**



- 0% open area
- Grip top with grooved surface for high friction and less grip reduction by dirt and dust
- Imperial belt width
- Dynamic open hinge
- Snap Fit rod retaining system
- Rod diameter 3 mm (0,12')
- Runs on knife edge diameter 6 mm (0.24")
- Food approved materials available
- Molded indent 25 mm (1.0")

**Belt material characteristics**

<b>Belt material</b>	POM	
<b>GripTop material</b>	TPE	
<b>Rod material</b>	PA	
<b>Nominal tensile strength F<sub>N</sub> straight run</b>	N/m lb/ft	2500 171
<b>Temperature range</b>	°C °F	-40 – 60 -40 – 140
<b>Belt weight m<sub>B</sub></b>	kg/m <sup>2</sup> lb/sqft	5.4 1.11

**Standard range of belt widths b<sub>0</sub>**

mm (nom.)	101.6	203.2	304.8	457.2	609.2	762.0	914.4	etc.
inch (nom.)	4	8	12	18	24	30	36	etc.


Real belt widths are in most cases 0.1% to 0.3% smaller.  
 For POM material up to 750 mm (30') – 2 mm to 1mm and -0.35% to 0% for wider belts.  
 Compatibility with most of the other M0800 series and Habasit Saniclip.


**The proven and reliable high grip M0870 0.3" pitch belt is unique on the market**




## **Habasit International AG**

Römerstrasse 1  
CH-4153 Reinach, Switzerland

 +41 61 715 15 15

 +41 61 715 15 55

 [habasit.com](https://www.habasit.com)

Registered trademarks

Copyright Habasit International AG

Subject to alterations

4515FLY.MOD-en0621HQR

Information provided herein does not constitute legal representations or warranties and may change without notice.

Please refer to the specifications/disclaimers provided in the respective product data sheets.

